

CPVC Pipe & Threaded Fittings

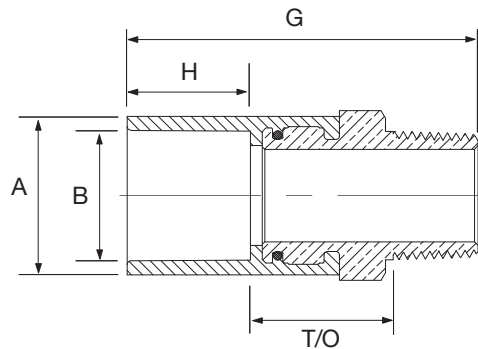
CPVC Fittings

Male Threaded Adaptor, Slip x Male Thread



Sizes	DN20 thru DN25 (3/4" thru 1")
Approvals	UL, C-UL Listed & FM, MEA, NSF, & LPCB Approved
Rated Pressure	12,1 bar (175 psi)
Maximum Temperature Rating	65°C (150°F).
Tech Data Sheet	TFP1915 and Installation Handbook - IH-1900

Manufactured with Lubrizol's BLAZEMASTER® compound ■ Produced from BlazeMaster® thermoplastic compound, RAPID RESPONSE CPVC fittings are designed exclusively for use in wet and dry pipe automatic fire sprinkler systems. ■ Our CPVC is easier to install than traditional steel components, while providing superior heat resistance and strength compared to traditional CPVC and PVC fitting materials.



CPVC Male Threaded Adaptor, Slip x Male Thread														
Part No.	Size				A mm	G mm	H mm	T/O mm	Weight kg	Approval Listings				
	DN		In.							LPCB	FM	UL	MEA	NSF
	D	B	D	B										
80157	20	3/4"	20	3/4" NPT	33	72	25	33	0.15	✓	✓	✓	✓	✓
80158	25	1"	25	1" NPT	40	84	32	35	0.254	✓	✓	✓	✓	✓
82005	25	1"	25	1" BSP	40	84	32	35	0.254	✓	✓	✓	✓	✓